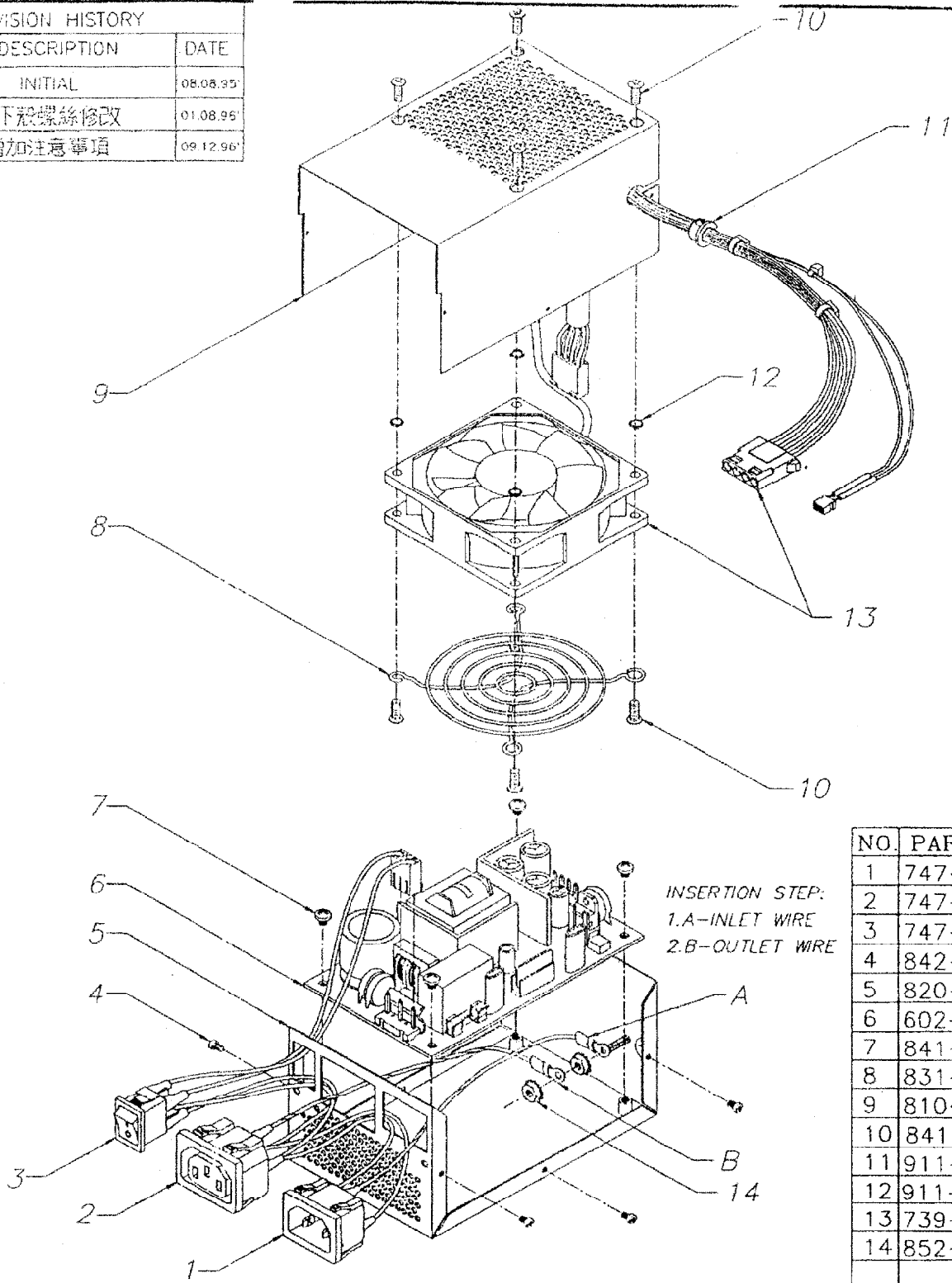


REVISION HISTORY

REV	DESCRIPTION	DATE
A1	INITIAL	08.06.99
A2	上下殼螺絲修改	01.08.96
A3	增加注意事項	09.12.96



INSERTION STEP:  
1.A-INLET WIRE  
2.B-OUTLET WIRE

NO.	PART NO.	QTY
1	747-1017	1
2	747-3017	1
3	747-4010	1
4	842-2505	6
5	820-1215	1
6	602-5226	1
7	841-7606	4
8	831-0808	1
9	810-1215	1
10	841-1561	8
11	911-SB69	1
12	911-WS4A	4
13	739-8044	1
14	852-2164	2

UNLESS OTHERWISE SPECIFIED  
DIMENSION TOLERANCE ARE :  
DECIMALS .X±      ANGLES .XX±      ±

APPROVAL	DATE
DRAWN ALAN	09.12.96

**SMX POWER**

3005 Avenida Simi, Simi Valley, CA 93063  
TEL: (805) 582-2804 FAX: (805) 582-2308

<http://www.smxpower.com>

SPECIFICATION SHEET

MATERIAL :

CHECKED	DATE
李漢彬	09/12/96

FINISH :

APPROVED	DATE
[Signature]	9/19/96

TITLE : 610-522M  
組裝說明爆炸圖

SCALE :

UNIT : mm

P/N : 610-522M

REV.	A3	DATE	09.12.96	SHEET 1 OF 1
------	----	------	----------	--------------