

# TR25D

## 25W SWITCHING ADAPTER DUAL OUTPUT



3005 Avenida Simi, Simi Valley, CA 93063  
TEL: (805) 582-2804 FAX: (805) 582-2308



### Features

- Universal Input: 90 ~ 264Vac
- Continuous Short Circuit Protection
- Meets EN55022 Class "B", conducted

### Specifications

#### INPUT CHARACTERISTICS:

Voltage ..... 90 ~ 264Vac  
 Frequency ..... 47 to 63Hz  
 Inrush Current ..... 50A Max. @ 264Vac  
 Conducted EMI ..... CISPR/FCC Class B  
 Isolation ..... Input to output =4,242Vdc  
 Leakage Current ..... 1.5mA max.

#### ENVIRONMENTAL CHARACTERISTICS:

Operating Temperature ..... 0 ~ 40°C  
 Storage Temperature ..... -20 ~ 85°C

#### OUTPUT CHARACTERISTICS:

Holdup Time ..... 16mS typ. @ 115Vac  
 Short Circuit Protection ..... Continuous  
 Over Voltage Protection ..... Option  
 Over Load Protection ..... Option

#### MECHANICAL CHARACTERISTICS:

Dimensions ..... 5.20x 2.28 x 1.18 Inches  
 Weight ..... 0.77 Pounds  
 AC Inlet ..... IEC320/C14

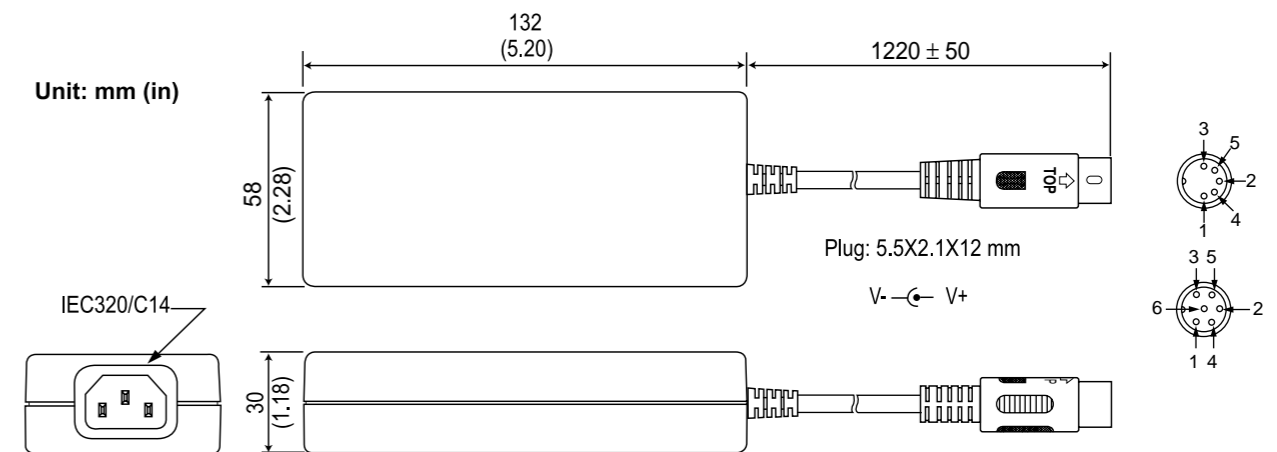
Typical at 25°C, nominal line and 75% load, unless otherwise Specified

MODEL	OUTPUT VOLTAGE (VOLTS)	OUTPUT CURRENT (AMPS)			PEAK <sup>1</sup> (AMPS)	RIPPLE <sup>2</sup> , P-P (mV)	TOTAL REGULATION <sup>3</sup>	O/P POWER MAX.
		MIN.	RATED	MAX.				
TR25D-01	+3.3V(V1)	0.3	3	4	5	50	±7%	20W
	+5V(V2)	0.2	2	3	4	50	±5%	
TR25D-02	+5V(V1)	0.2	2	3	4	50	±5%	25W
	+12V(V2)	0.13	1.3	2	3	120	±5%	
TR25D-03	+5V(V1)	0.2	2	3	4	50	±5%	25W
	+15V(V2)	0.1	1	1.5	2	150	±5%	
TR25D-04	+5V(V1)	0.2	2	3	4	50	±5%	25W
	+24V(V2)	0.1	0.6	1	1.5	240	±5%	

#### NOTE:

1. Peak output current (total output power must less than 32W) lasting less than one minute with duty factor less than 5%. During peak loading, output voltage may exceed total regulation limits.
2. Add a 0.1uF ceramic capacitor and a 10uF E.L. capacitor to the output cable. Peak to peak and RMS metering equipment shall have a 20 MHz response with probes and cables maintaining frequency response from 200Hz to 100MHz bandwidth. Output ripple and spikes are measured directly at the output terminals of the power supply without the use of the probe ground clip.
3. Total regulation is defined as the static output regulation at 25°C, including initial tolerance, line voltage within stated limits, and load currents within stated limits. When V1 exceed rated load, the total regulation will be ±10%.

### Mechanical Specification



#### DC plug & pin assignment

OUTPUT NO.	TR25D-XX	CONNECTORS	
PIN1	GND		
PIN2	GND		
PIN3	NC	DIN PLUG	DIN PLUG
PIN4	V1	(5P 180°)	(6P 240°)
PIN5	V2		
PIN6	V1		