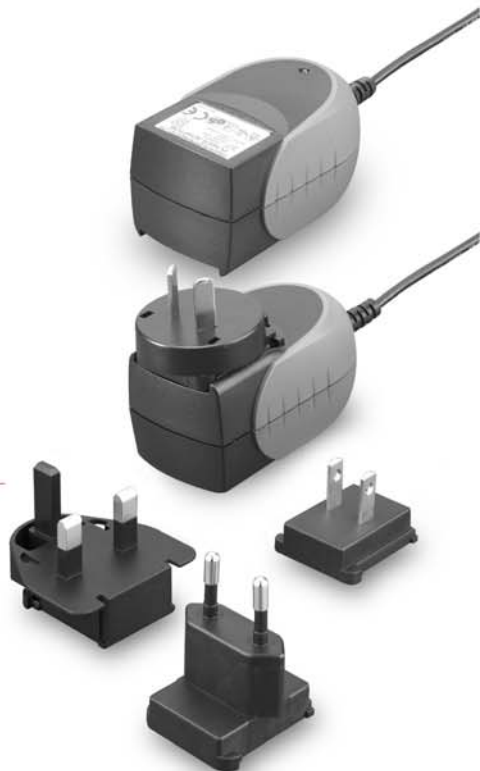


TR15RA

15W SWITCHING ADAPTER



Features

- Universal Input : 90 ~ 264Vac
- Continuous Short Circuit Protection
- Over Voltage Protection
- High Efficiency, 75% Typical
- AC Plug Can Be Change
- Meet EN55022 Class B

Specifications

INPUT CHARACTERISTICS:

Voltage	90 ~ 264Vac
Frequency	47 to 63Hz
Input Current	0.4A max
Inrush Current	30A max @264Vac
Conducted EMI.....	CISPR/FCC Class B
Isolation	Input to output =4,242VDC
Leakage Current.....	0.25mA max

ENVIRONMENTAL CHARACTERISTICS:

Operating Temperature	0 ~ 40°C
Storage Temperature	-20 ~ 85°C

OUTPUT CHARACTERISTICS:

Hold-up Time	10ms typ. @ 115Vac
Short Circuit Protection	Continuous (Auto Recovery)
Over Voltage Protection	Yes

MECHANICAL CHARACTERISTICS:

Dimensions	80.6x47.9x43.3mm ³ (3.17x1.89x1.71 Inches)
Weight	130g (0.29 Pounds)

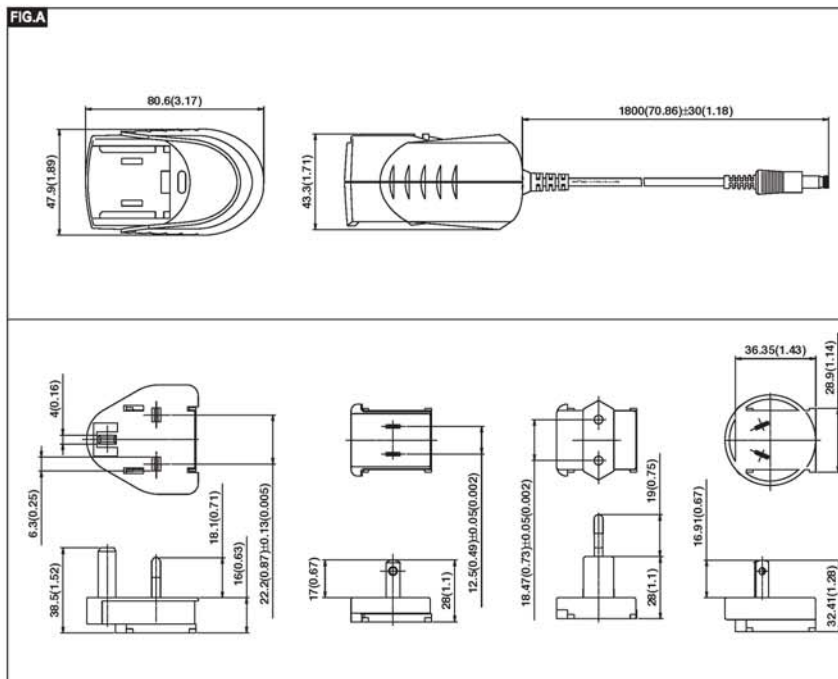
MODEL	OUTPUT VOLTAGE	MAX. LOAD	MIN. LOAD	RIPPLE & NOISE	VOLTAGE ACCURACY	LINE REGULATION	LOAD REGULATION
TR15RA050	5 V	2.0A	0 A	1%	±3%	±1%	±4%
TR15RA060	6V	1.7A	0 A	1%	±2%	±1%	±3%
TR15RA090	9 V	1.4A	0 A	1%	±2%	±1%	±2%
TR15RA120	12 V	1.1A	0 A	1%	±2%	±1%	±2%
TR15RA150	15 V	1.0A	0 A	1%	±2%	±1%	±2%
TR15RA180	18 V	830mA	0 A	1%	±2%	±1%	±2%
TR15RA240	24V	625mA	0 A	1%	±2%	±1%	±2%

NOTE:

1. Voltage setpoint at 60% load.
2. Add a 0.1uF ceramic capacitor and a 10uF E.L. capacitor to output for Ripple & Noise measuring @20MHz BW.
3. Line regulation measured from 100Vac to 240Vac , full load.
4. Load regulation measured from 60% to full load and from 60% to 20% load(60% +/- 40% load)

Mechanical Specification

UNIT: mm(Inches)



Typical at 25°C, nominal line and 75% load, unless otherwise Specified

SMX POWER

3005 Avenida Simi, Simi Valley, CA 93063 TEL: (805) 582-2804 FAX: (805) 582-2308 www.smxpower.com