

TR10R

10W SWITCHING ADAPTER



Features

- Universal Input: 90 – 264Vac
- Continuous Short Circuit Protection
- Conductive EMI Meets CISPR/FCC Class B
- High Efficiency, 75% Typical
- AC Plug Can Be Change

Specifications

INPUT CHARACTERISTICS:

Voltage90 – 264Vac
 Frequency47 to 63Hz
 Input Current0.4A max.
 Inrush Current.....30A max. @ 264Vac
 IsolationInput to output =4,242VDC
 Leakage Current.....0.25mA max

ENVIRONMENTAL CHARACTERISTICS:

Operating Temperature 0 – 40°C
 Storage Temperature -20 – 85°C

OUTPUT CHARACTERISTICS:

Holdup Time 10mS typ. @ 115Vac
 Short Circuit Protection Continuous (Auto Recovery)
 Over Current Protection Constant Current type

MECHANICAL CHARACTERISTICS:

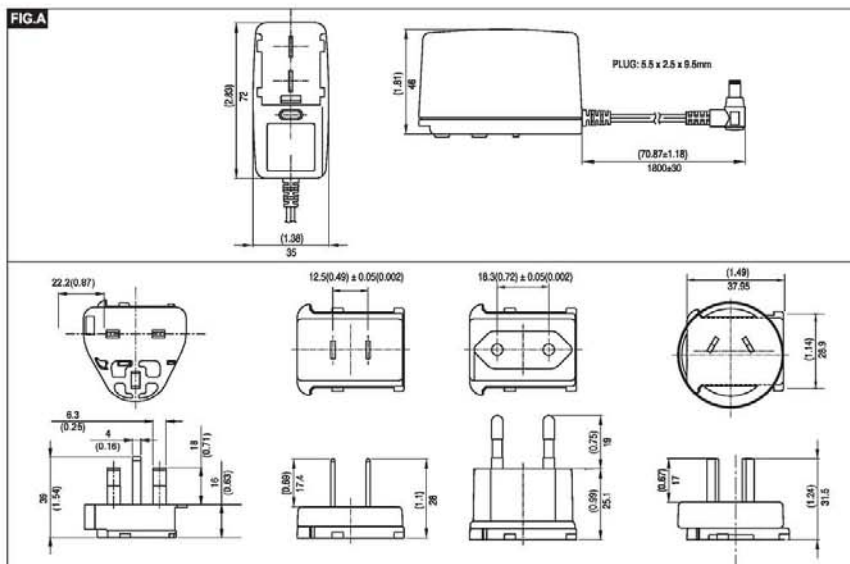
Dimensions2.83x 1.81 x 1.38 Inches
 Weight0.29 Pounds

MODEL	OUTPUT VOLTAGE	MAX. LOAD	MIN. LOAD	RIPPLE & NOISE	VOLTAGE ACCURACY	LINE REGULATION	LOAD REGULATION
TR10R033	3.3 V	1600mA	0 A	50mV	±3%	±1%	±4%
TR10R050	5 V	1600mA	0 A	50mV	±2%	±1%	±4%
TR10R060	6 V	1500mA	0 A	1%	±2%	±1%	±3%
TR10R075	7.5 V	1200mA	0 A	1%	±2%	±1%	±3%
TR10R090	9 V	1100mA	0 A	1%	±2%	±1%	±2%
TR10R120	12 V	850mA	0 A	1%	±2%	±1%	±2%
TR10R136	13.6 V	750mA	0 A	1%	±2%	±1%	±2%
TR10R150	15 V	700mA	0 A	1%	±2%	±1%	±2%
TR10R180	18 V	550mA	0 A	1%	±2%	±1%	±2%
TR10R240	24 V	400mA	0 A	1%	±2%	±1%	±2%

NOTE:

1. Voltage setpoint at 60% load.
2. Add a 0.1µF ceramic capacitor and a 10µF E.L. capacitor to output for Ripple & Noise measurement @20MHz BW.
3. Line regulation measured from 100vac to 240Vac, full load.
4. Load regulation measured from 60% to full load and from 60% to 20% load (60% +/- 40% load)

Mechanical Specification



Typical at 25°C, nominal line and 75% load, unless otherwise Specified



3005 Avenida Simi, Simi Valley, CA 93063 TEL: (805) 582-2804 FAX: (805) 582-2308 www.smxpower.com