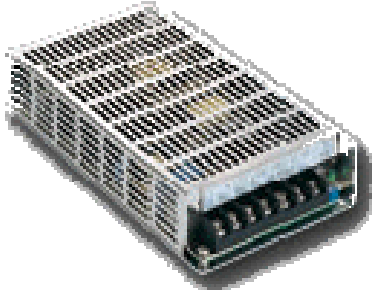
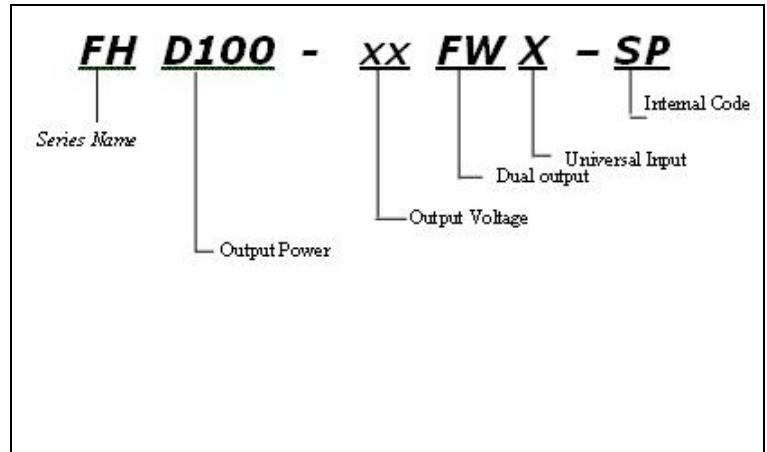


## FHD100-xxFWX-SP SERIES



**UL** **EN 60950-1** **CE CB**  
DIMENSION: 198x95x38 mm  
7.80 x 3.74 x 1.50 inch



INPUT	
<b>Input Voltage:</b>	88V ~ 264VAC or 120 ~ 375VDC, (universal full range)
<b>Input Current:</b>	3.0A max at 100VAC input, full load condition <35A@115V / <70A@230V AC input.
<b>Inrush Current:</b>	<1.5mA@264V AC input
<b>Leakage Current:</b>	<1.5mA@264V AC input
<b>Frequency</b>	47 ----- 63 Hz

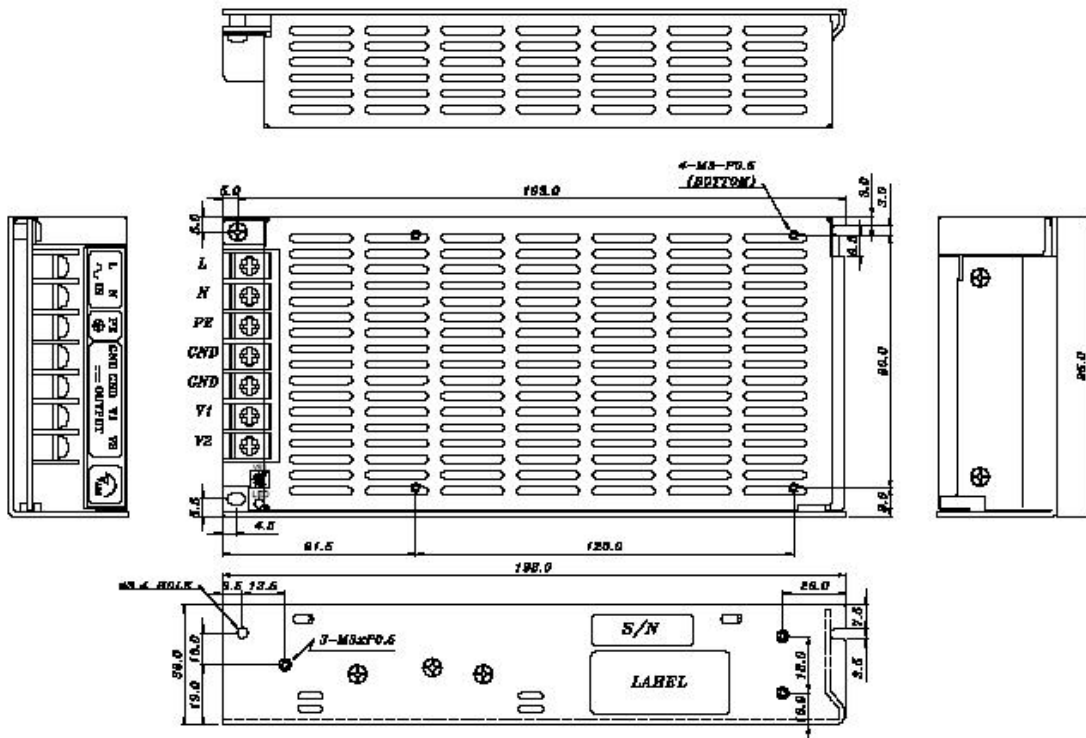
FEATURES
1. Universal AC input, PFC function (option)
2. Built-in EMI filter, low ripple noise
3. Over load, over voltage & short circuit protection
4. 100% 50°C burn-in test

Output Characteristics	Unit	Models							
		FHD100-0512FWX-SP		FHD100-0524FWX-SP		FHD100-12(-)12FWX-SP		FHD100-15(-)15FWX-SP	
Output Voltage	Vdc	+5	+12	+5	+24	+12	-12	+15	-15
Min. Load	A	0.5	0.1	0.5	0.1	0.3	0.1	0.3	0.1
Max. Load	A	12	6	10	4	4.9	4.9	3.92	3.92
Regulation	%	±3%	±5%	±3%	±5%	±2%	±10%	±2%	±10%
Ripple & Noise (Max.)	mV	50	120	50	240	120	120	150	150
Max Power	W	100							
Rise time	mS	<20mS							
Hold Up Time	mS	16.7mS/115VAC, 80mS/230VAC							
Setup time	S	3Sec@115VAC, 1Sec@230VAC							

Efficiency	%	75	76	76	76
------------	---	----	----	----	----

Environmental Specification		
Operating Temperature	0 to +70°C ambient	
Storage Temperature	-10 to +75°C ambient	
Derating	50°C ~ 70°C : 2.5%/°C.	
Operating Humidity	20% ~ 85%	
Storage Humidity	10% ~ 95% (non condensing)	
Cooling	Natural Cooling	
Protection/Control Specification		
Over Voltage Protection	+5V: 5.8V~7.0V      +12V: 13.8V~17.5V      +15V: 17.3V~21V	
Over Load Protection	Over 105% ~ 180% of rating, recovers automatically after fault condition removed.	
Short Circuit Protection	Shutdown, recovers automatically after fault condition removed.	
Safety	UL 1950 3rd, CSA C22.2 No.950 3rd, TUV EN 60950, IEC 60950, EMKO-TSE(74-SEC)207/94 approved.	
M.T.B.F.	261K hours	
EMC	EMI	EN 55022, FCC CFR 47 PART 15 CLASS B, CNS 13438 CLASS B.
	EMS	EN 55024 : EN 61000-4-2,3,4,5,6,8,11.
Dimension	198 x 95 x 38mm [7.80 x 3.74 x 1.50inch]	

## DIMENSION DIAGRAM



TERMINAL BLOCK : 7P, PITCH 9.5 mm. (STANDARD)  
UNIT:mm